



**LED Indoor Bulk
Head Light
(Ceiling & Wall)**

Product Description

	<p>GLCPro-PFDim-3K-12W Voltage: AC200-240V Size: Ø275*70mm Power:12W, PF: >0.9 CCT: 3000K 4000K LED: 2835 SMD CRI>80 Beam angle: 120° Lumen: 1200lm, 100lm/W IP:65 NW:0,61kg, GW: 0,7kg on/off + Dimmable</p>
<p>LED Bulk head light (on/off, Dimmable)</p>	<p>GLCPro-PFDim-3K-25W Voltage: AC200-240V Size: Ø325*70mm Power:25W, PF: >0.9 CCT: 3000K 4000K LED: 2835 SMD CRI80 Beam angle: 120° Lumen: 2500lm IP:65 NW:1.2kg, GW:1.3kg on/off + Dimmable</p>
<p>Packaging information</p>	<p>GLCPro-PFS20%-3K-12W Single-Pack: 278x278x78mm, Multi-pack: 488x298x293mm, 6pcs/multi, 0,042CBM, GLCPro-PFS20%-3K-25W Single-Pack: 328x328x78mm, Multi-pack: 488x348x343mm, 6pcs/multi, 0,058CBM,</p>

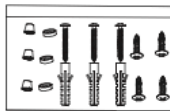
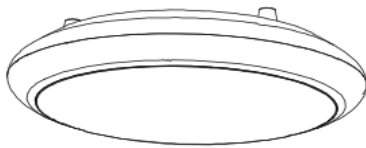


Installation Guide

Turn Off power supply before starting any installation. Read instructions & check you have all the tools & accessories to complete the installation correctly.

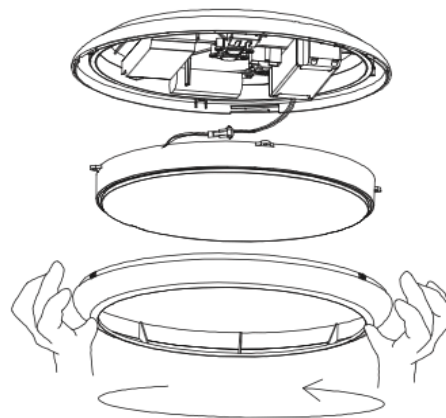
Step 1

Take out ceiling light and accessory pack from box



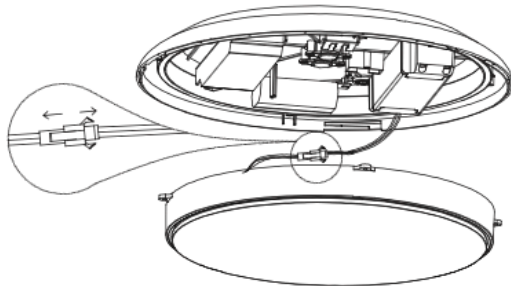
Step 2

Unscrew the front ring anticlockwise and take it out, make the ring, diffuser and back plate separately.



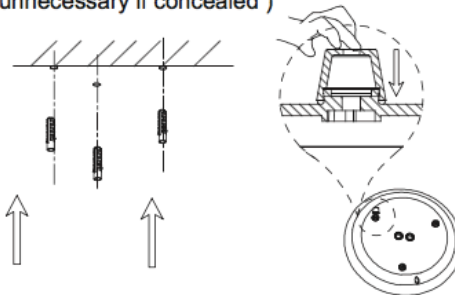
Step 3

Disconnect the male and female connectors.



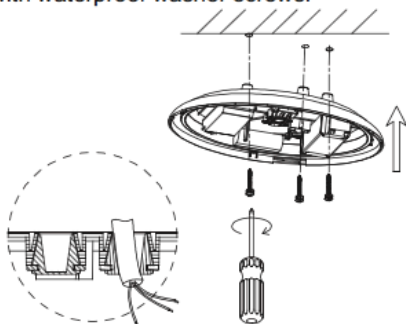
Step 4

Knock-in the plastic anchor plug into ceiling, buckle washers and back plate well. (the washers for exposed cable, unnecessary if concealed)



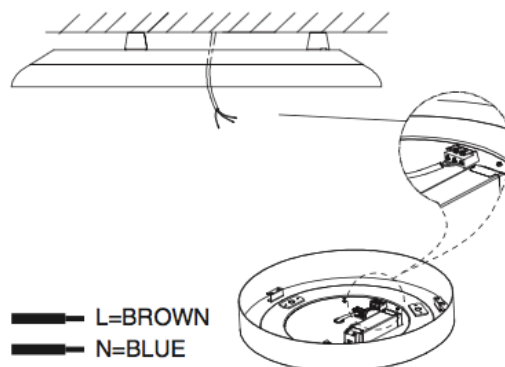
Step 5

Pull cable through the entrance hole and waterproof bushing into back plate, fix the back plate on ceiling with waterproof washer screws.



Step 6

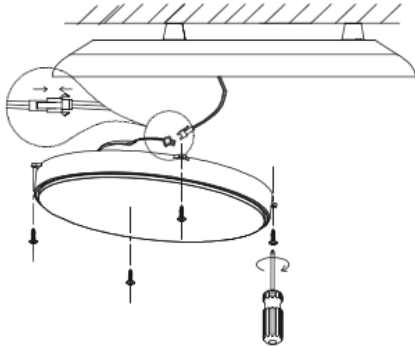
Connect the cable to the terminal block through the reliefs.





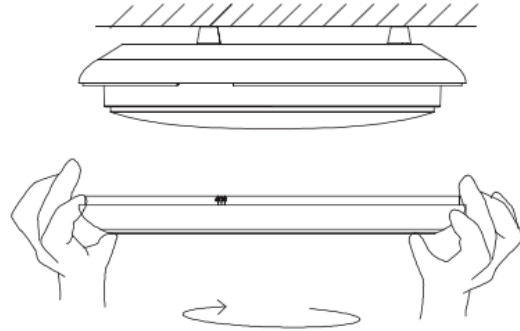
Step 7

Connect the male and female connectors, fix the diffuser cover on back plate with screws.



Step 8

Aim at the buckle and screw on the front ring clockwise.



Step 9

Connect it to the mains supply after finished the installation.

